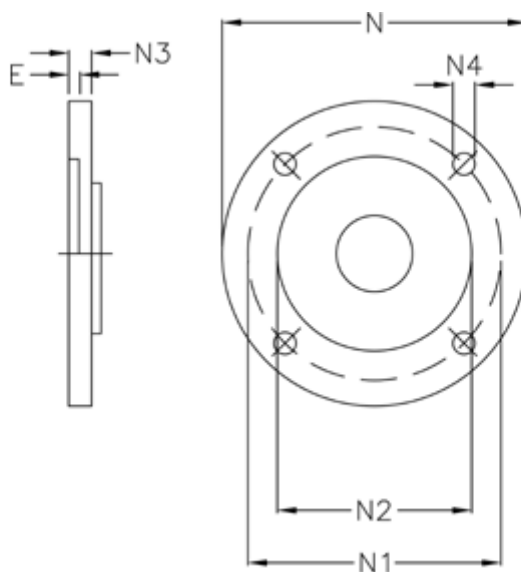


Article number: 3966072000040

Description: Flange 100B5 for VF 72

Measures



E = 4.0

N = 250

N1 = 215

N2 = 180.0

N3 = 13.0

N4 = 13,5